

11

10

9

8

7

6

5

4

3

2

1

CHGD. TRADE-MARK.

COLUMBUS STEEL CASTINGS RESERVES THE RIGHT TO MODIFY DETAILS NOT AFFECTING APPLICATION OR STRENGTH IF NECESSARY TO FACILITATE MANUFACTURE.

I

H

G

F

D

C

B

A

I

H

G

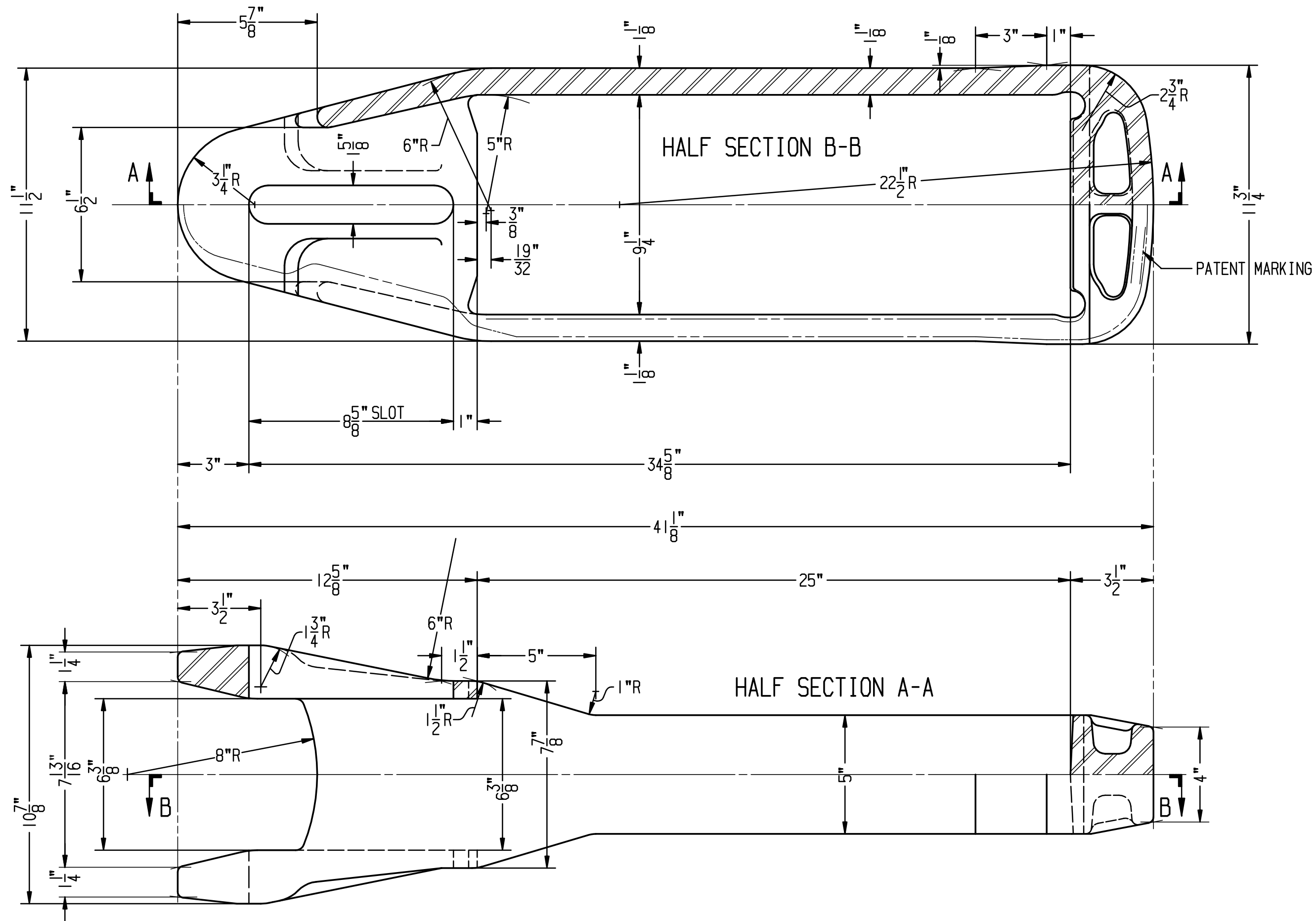
F

D

C

B

A



NOTE: DIMENSIONS WHICH ARE NOT TOLERANCED ARE SUBJECT TO MANUFACTURING VARIATIONS.

MATERIAL: GRADE "E" CAST STEEL, PER A.A.R. SPECIFICATION M-211, LATEST REVISION.

NOTE: THE FOLLOWING MARKING TO APPEAR IN 3/4" HIGH X 1/8" RAISED LETTERS ON YOKE.

C.S.C. TRADE MARK	C
A.A.R. CATALOG NO.	SY40AE
MONTH AND YEAR CAST	
A.A.R. IDENTIFICATION NO.	A.A.R. E-249
PATENT MARKING (*)	PATD. 5096076


* - SIZE TO SUIT

THIS DRAWING CONTAINS CONFIDENTIAL AND PROPRIETARY INFORMATION OF COLUMBUS STEEL CASTINGS ("COLUMBUS STEEL") AND THE DRAWING AND THE INFORMATION CONTAINED THEREIN ARE AND REMAIN THE PROPERTY OF COLUMBUS STEEL. THIS DRAWING IS PROVIDED WITH THE EXPRESS AGREEMENT THAT THE DRAWING AND THE INFORMATION THEREIN:

- (1) WILL NOT BE REPRODUCED, COPIED OR OTHERWISE TRANSCRIBED, IN WHOLE OR IN PART, BY ANY METHOD;
- (2) WILL NOT BE USED, IN WHOLE OR IN PART, DIRECTLY OR INDIRECTLY, TO ASSIST IN THE MAKING OR TO FURNISH ANY INFORMATION FOR THE MAKING, OF DRAWINGS, PRINTS, APPARATUS OR PARTS;
- (3) WILL NOT BE MADE AVAILABLE TO ANY OTHER PERSON OR ENTITY, IN EACH CASE WITHOUT THE PRIOR WRITTEN CONSENT OF COLUMBUS STEEL AS TO EACH SPECIFIC CASE; AND
- (4) WILL BE RETURNED TO COLUMBUS STEEL UPON ITS REQUEST.

ACCEPTANCE OF THIS DRAWING SHALL CONSTITUTE ACCEPTANCE OF THE FOREGOING AGREEMENTS.

A	1-5-05
REV.	DATE

PATENTED	
A.A.R. STANDARD TYPE "E" COUPLER YOKE	
	
Columbus, Ohio	
DRAWN BY T.A.P.	CHECKED BY G.L.C.
DATE 2-17-94	
SCALE 3"=1'-0"	
C-14012	
SHEET 1 OF 1	

11

10

9

8

7

6

5

4

3

2

1