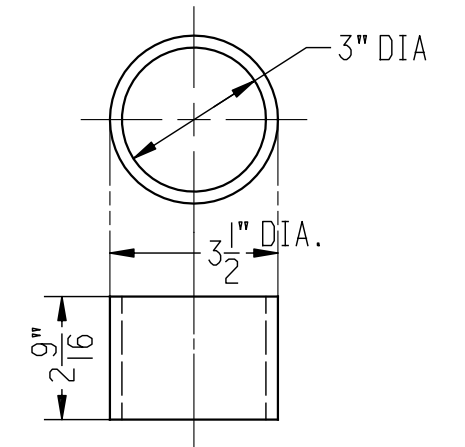
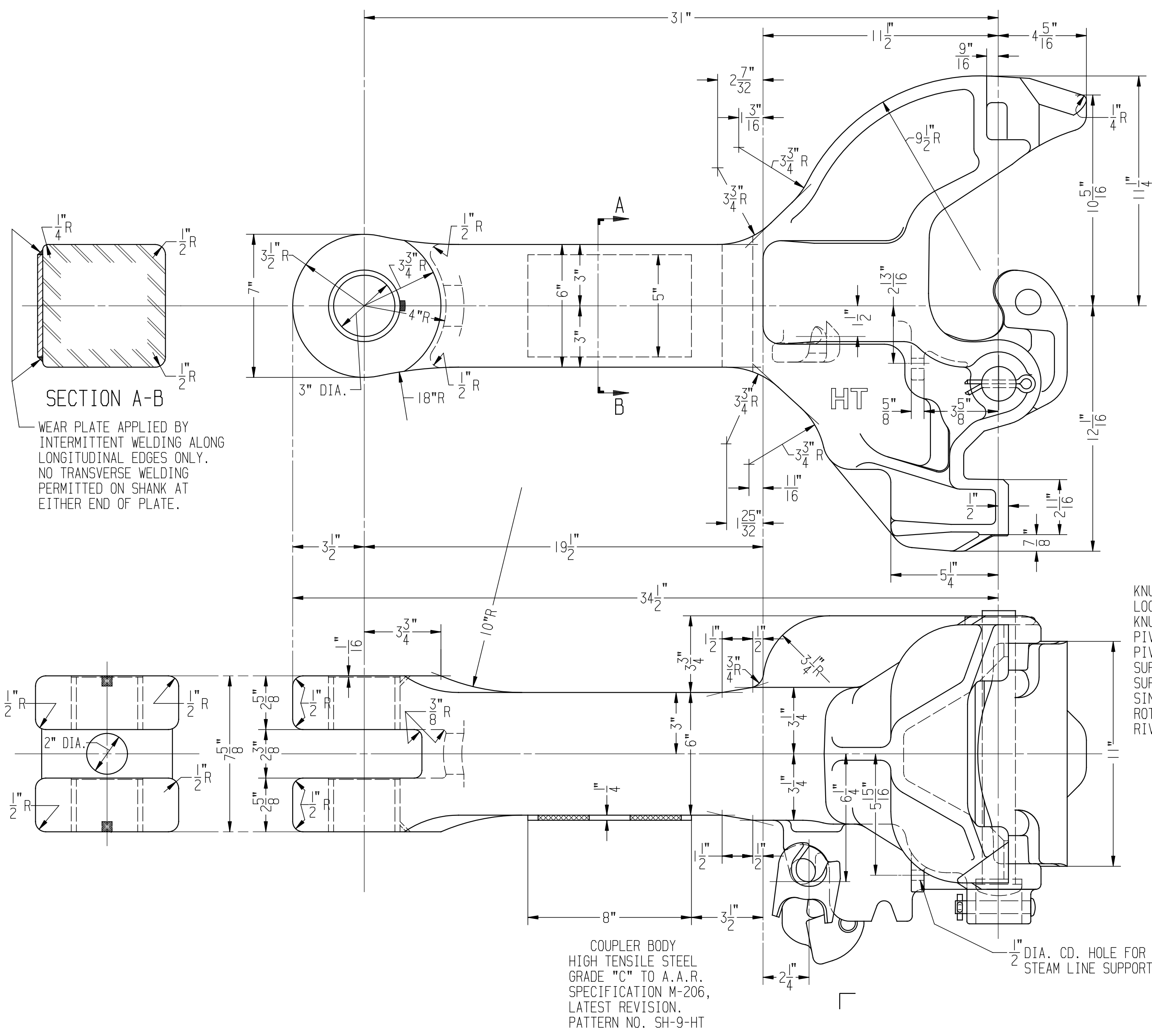
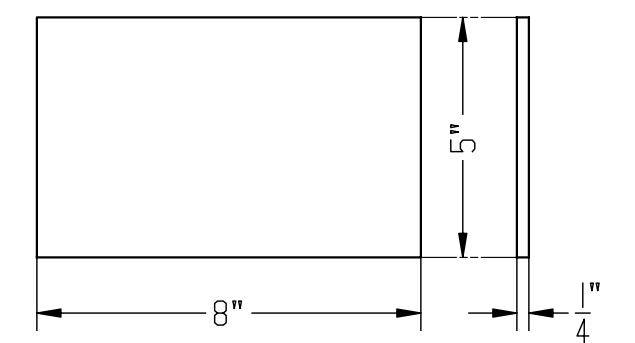


COLUMBUS CASTINGS RESERVES THE RIGHT TO MODIFY DETAILS NOT AFFECTING APPLICATION OR STRENGTH IF NECESSARY TO FACILITATE MANUFACTURE.



BUSHING
A.A.R. ST'D. SEAMLESS STEEL BUSHING
2-REQ'D. NO. B16



COUPLER WEAR PLATE
341-415 BHN.
NO. WP2, DRG. NO. B-10719.
(APPLIED BY C.C. CO.)

COUPLER IS FITTED WITH THE FOLLOWING PARTS.

KNUCKLE	H 50 B-HTS
LOCK	H 40 A-HTS
KNUCKLE THROWER	H 30 A
PIVOT PIN	C 10
PIVOT PIN COTTER	C 11
SUPPORT PIN	C 2
SUPPORT PIN COTTER	C 3
SINGLE ROTARY LOCK LIFT LEVER	BS 13 HT
ROTARY LOCK LIFT TOGGLE	H 9 A
RIVET	E 5
LOCK LIFT ASSEMBLY	BS 15

NOTE: LOCK LIFT ASSEMBLY FURNISHED IN ASSEMBLY ONLY.

6" X 6" X 23" SHANK
3" DIA. PIN HOLE-BUSHED

NOTE: COUPLER AND PARTS ARE PATENTED.

REV.	DATE

A.A.R. TYPE "H" TIGHTLOCK COUPLER
SINGLE ROTARY OPERATION
PATTERN NO. SH-9-HT



DRAWN BY J.M.P.	CHECKED BY J.W.	DATE 9-3-1998
SCALE 3"=1'-0"		

CW-14588 SHEET 1 OF 1

THIS DRAWING CONTAINS CONFIDENTIAL AND PROPRIETARY INFORMATION OF COLUMBUS CASTINGS AND THE DRAWING AND THE INFORMATION CONTAINED THEREIN ARE AND REMAIN THE PROPERTY OF COLUMBUS CASTINGS. THIS DRAWING IS PROVIDED WITH THE EXPRESS AGREEMENT THAT THE DRAWING AND THE INFORMATION THEREIN:

- (1) WILL NOT BE REPRODUCED, COPIED OR OTHERWISE TRANSCRIBED, IN WHOLE OR IN PART, BY ANY METHOD;
- (2) WILL NOT BE USED, IN WHOLE OR IN PART, DIRECTLY OR INDIRECTLY, TO ASSIST IN THE MAKING OR TO FURNISH ANY INFORMATION FOR THE MAKING, OF DRAWINGS, PRINTS, APPARATUS OR PARTS;
- (3) WILL NOT BE MADE AVAILABLE TO ANY OTHER PERSON OR ENTITY, IN EACH CASE WITHOUT THE PRIOR WRITTEN CONSENT OF COLUMBUS CASTINGS AS TO EACH SPECIFIC CASE; AND
- (4) WILL BE RETURNED TO COLUMBUS CASTINGS UPON ITS REQUEST.

ACCEPTANCE OF THIS DRAWING SHALL CONSTITUTE ACCEPTANCE OF THE FOREGOING AGREEMENTS.