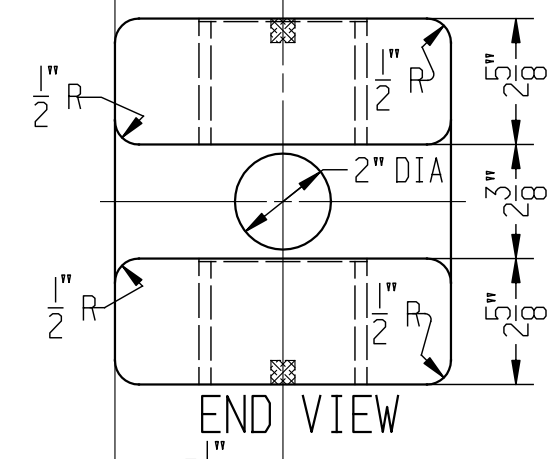
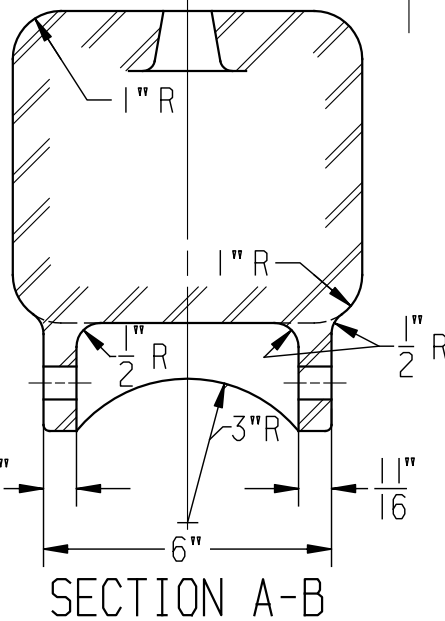
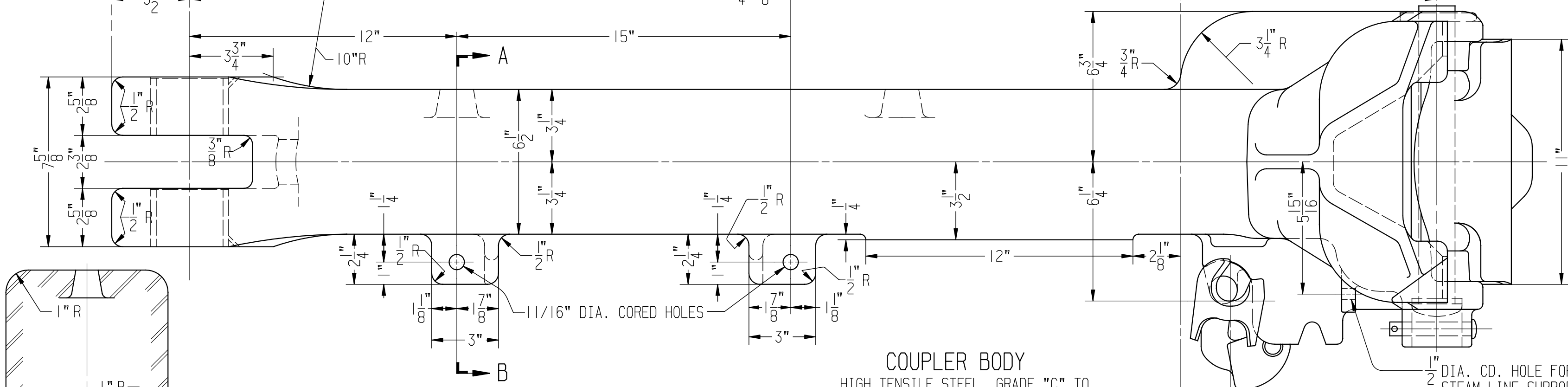


BUSHING
A.A.R. ST'D. SEAMLESS STEEL BUSHING
2-REQ'D. NO. B16

NOTE: USE OF SHANK CORE VENTS IS OPTIONAL. LOCATION OF VENTS MAY BE VARIED TO SUIT DESIGN.



END VIEW



SECTION A-B

COUPLER BODY
HIGH TENSILE STEEL, GRADE "C" TO
A.A.R. SPEC. M-206, LATEST REVISION.
CATALOG NO. CH-81-HT

C.C. COMPLETE ASSEMBLY
IDENTIFICATION NO. CH 81 HT1

COUPLER IS FITTED WITH
THE FOLLOWING PARTS.

- | | | |
|--|--|---|
| <ul style="list-style-type: none"> KNUCKLE LOCK KNUCKLE THROWER PIVOT PIN PIVOT PIN COTTER SUPPORT PIN SUPPORT PIN COTTER SINGLE ROTARY LOCK LIFT LEVER ROTARY LOCK LIFT TOGGLE RIVET | <ul style="list-style-type: none"> BS 13 HT H 9 A E 5 | <ul style="list-style-type: none"> LOCK-LIFT ASSEM. BS 15 |
|--|--|---|

NOTE: LOCK LIFT ASSEMBLY FURNISHED IN ASSEMBLY ONLY.

6 1/2" X 8" X 4'-0" SHANK
3" DIA. PIN HOLE-BUSHED
NOTE: COUPLER AND PARTS ARE PATENTED.

TYPE "H" TIGHTLOCK COUPLER
SINGLE ROTARY OPERATION
WITH TRAIN LINE LUGS
CATALOG NO. CH 81 HT



Columbus, Ohio

DRAWN BY J.M.P.	CHECKED BY J.W.	DATE 6-19-1997
		SCALE 3"=1'-0"

CW-14501

SHEET 1 OF 1

THIS DRAWING CONTAINS CONFIDENTIAL AND PROPRIETARY INFORMATION OF COLUMBUS CASTINGS AND THE DRAWING AND THE INFORMATION CONTAINED THEREIN ARE AND REMAIN THE PROPERTY OF COLUMBUS CASTINGS. THIS DRAWING IS PROVIDED WITH THE EXPRESS AGREEMENT THAT THE DRAWING AND THE INFORMATION THEREIN:

- (1) WILL NOT BE REPRODUCED, COPIED OR OTHERWISE TRANSCRIBED, IN WHOLE OR IN PART, BY ANY METHOD;
- (2) WILL NOT BE USED, IN WHOLE OR IN PART, DIRECTLY OR INDIRECTLY, TO ASSIST IN THE MAKING OR TO FURNISH ANY INFORMATION FOR THE MAKING, OF DRAWINGS, PRINTS, APPARATUS OR PARTS;
- (3) WILL NOT BE MADE AVAILABLE TO ANY OTHER PERSON OR ENTITY, IN EACH CASE WITHOUT THE PRIOR WRITTEN CONSENT OF COLUMBUS CASTINGS AS TO EACH SPECIFIC CASE; AND
- (4) WILL BE RETURNED TO COLUMBUS CASTINGS UPON ITS REQUEST.

ACCEPTANCE OF THIS DRAWING SHALL CONSTITUTE ACCEPTANCE OF THE FOREGOING AGREEMENTS.