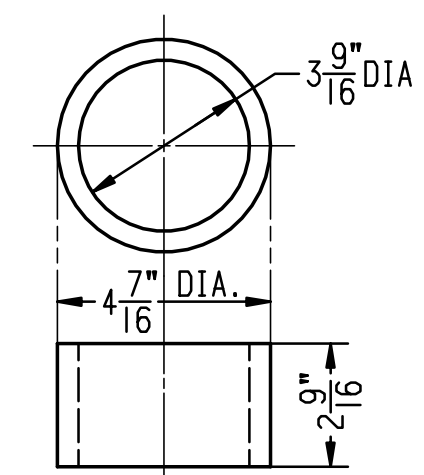
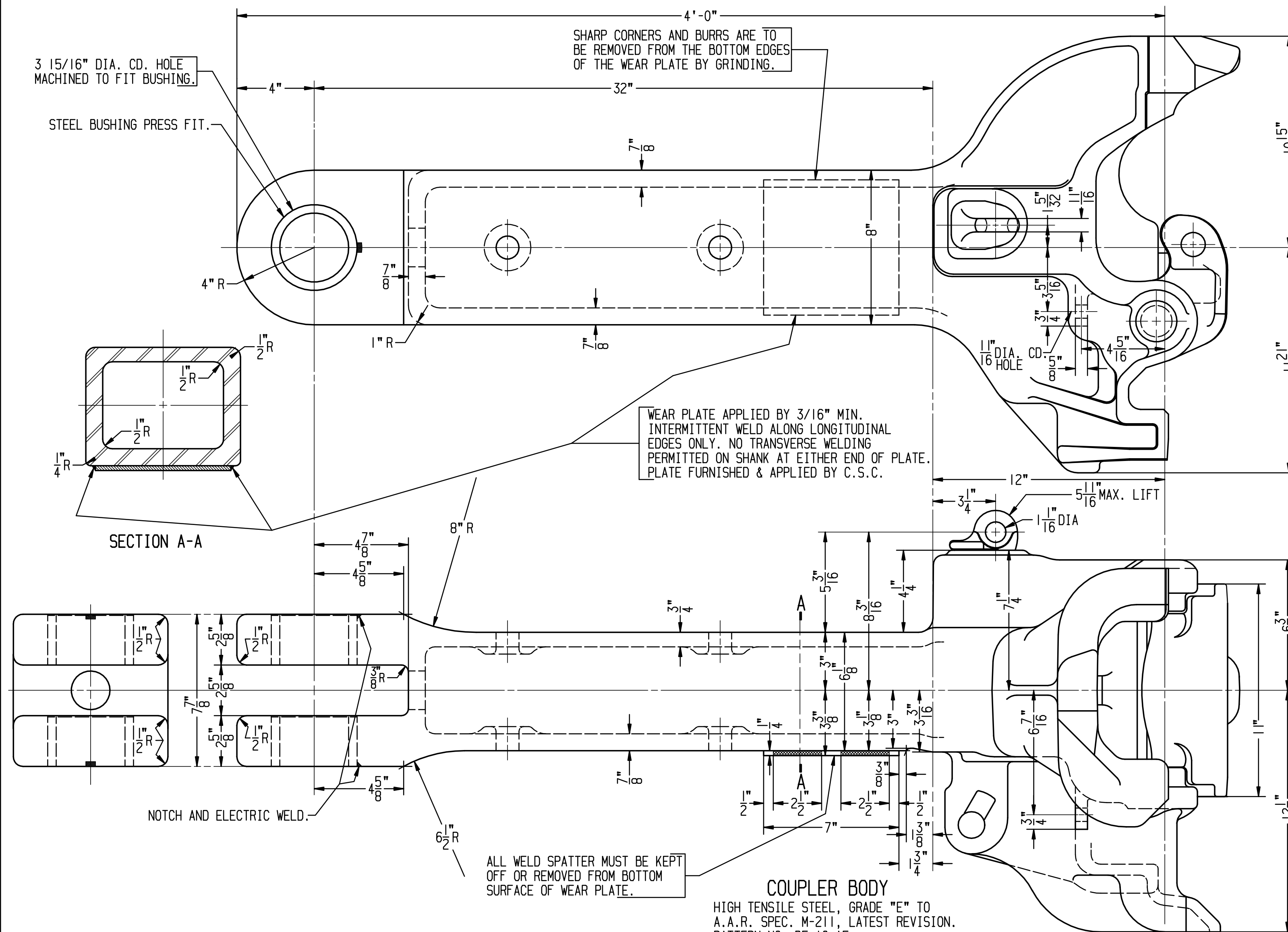
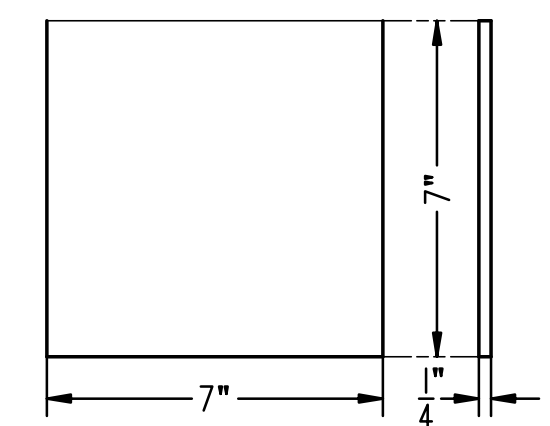


A ADDED SHANK CORE HOLES & ASSEMBLY I.D. NO. B ADDED DIMENSIONS.

COLUMBUS STEEL CASTINGS RESERVES THE RIGHT TO MODIFY DETAILS NOT AFFECTING APPLICATION OR STRENGTH IF NECESSARY TO FACILITATE MANUFACTURE.



STEEL BUSHING (SEAMLESS STEEL) SB-46 2-REQ'D.



WEAR PLATE 341-415 BHN. DETAIL DRG. B-9265

C.S.C. COMPLETE ASSEMBLY IDENTIFICATION NO. BF 19 AE3

COUPLER IS FITTED WITH THE FOLLOWING PARTS:

- KNUCKLE LOCK F 51 AE
- KNUCKLE THROWER F 45 AE
- PIVOT PIN F 31 A
- PIVOT PIN COTTER C 10
- TOP PLUG E 3 A
- TOP LINK E 4 A
- RIVET E 5
- TOP LOCK LIFT ASSEMBLY E 6 A

REV.	DATE
B	4-24-2001
A	3-30-2001

NOTE: DIMENSIONS WHICH ARE NOT TOLERANCED ARE SUBJECT TO MANUFACTURING VARIATIONS.

USE, SIZE AND LOCATION OF SHANK CORE SUPPORT HOLES ARE OPTIONAL WITH MANUFACTURER.

THIS DRAWING CONTAINS CONFIDENTIAL AND PROPRIETARY INFORMATION OF COLUMBUS STEEL CASTINGS ("COLUMBUS STEEL") AND THE DRAWING AND THE INFORMATION CONTAINED THEREIN ARE AND REMAIN THE PROPERTY OF COLUMBUS STEEL. THIS DRAWING IS PROVIDED WITH THE EXPRESS AGREEMENT THAT THE DRAWING AND THE INFORMATION THEREIN:

- (1) WILL NOT BE REPRODUCED, COPIED OR OTHERWISE TRANSCRIBED, IN WHOLE OR IN PART, BY ANY METHOD;
- (2) WILL NOT BE USED, IN WHOLE OR IN PART, DIRECTLY OR INDIRECTLY, TO ASSIST IN THE MAKING OR TO FURNISH ANY INFORMATION FOR THE MAKING, OF DRAWINGS, PRINTS, APPARATUS OR PARTS;
- (3) WILL NOT BE MADE AVAILABLE TO ANY OTHER PERSON OR ENTITY, IN EACH CASE WITHOUT THE PRIOR WRITTEN CONSENT OF COLUMBUS STEEL AS TO EACH SPECIFIC CASE; AND
- (4) WILL BE RETURNED TO COLUMBUS STEEL UPON ITS REQUEST.

ACCEPTANCE OF THIS DRAWING SHALL CONSTITUTE ACCEPTANCE OF THE FOREGOING AGREEMENTS.

TYPE "F" INTERLOCKING COUPLER
TOP OPERATING
PATTERN NO. BF 19 AE

Columbus Steel Castings
Columbus, Ohio

DRAWN BY J.J.S.	CHECKED BY B.S.	DATE 3-26-2001
C-14731		SCALE 3"=1'-0"
		SHEET 1 OF 1