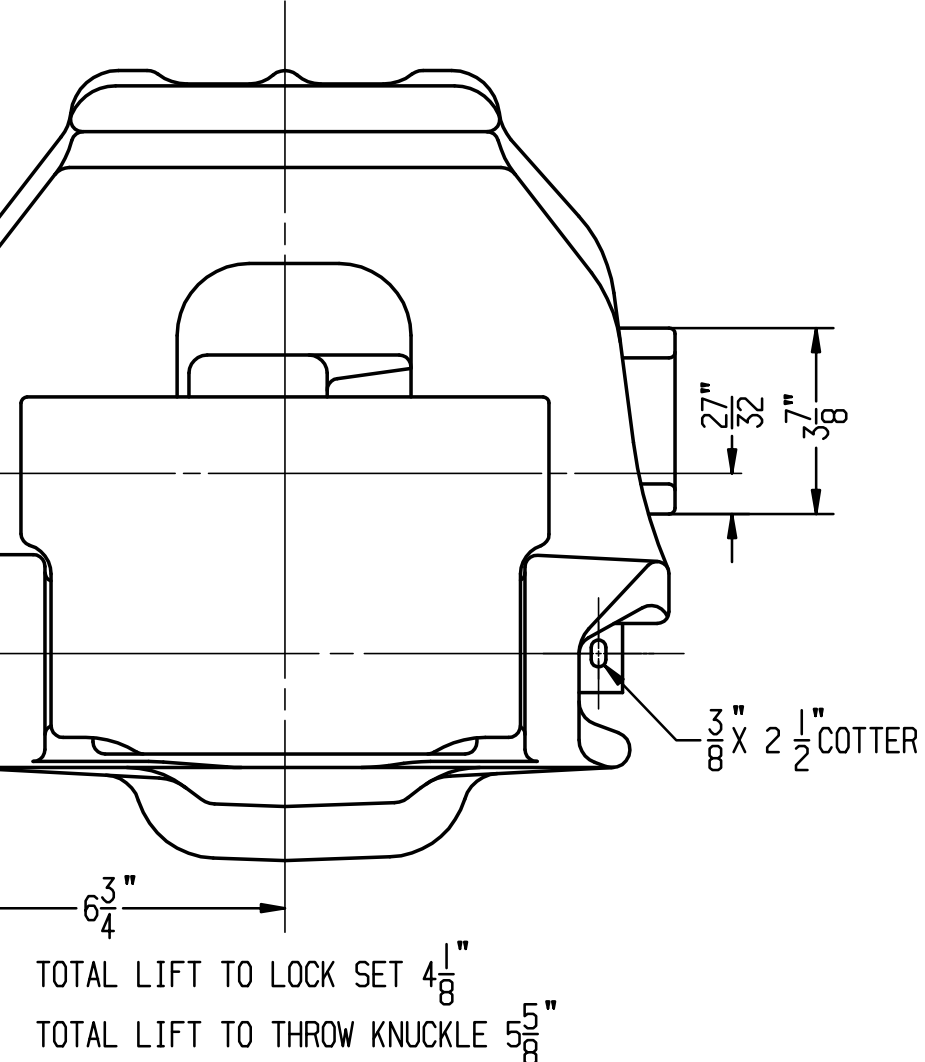
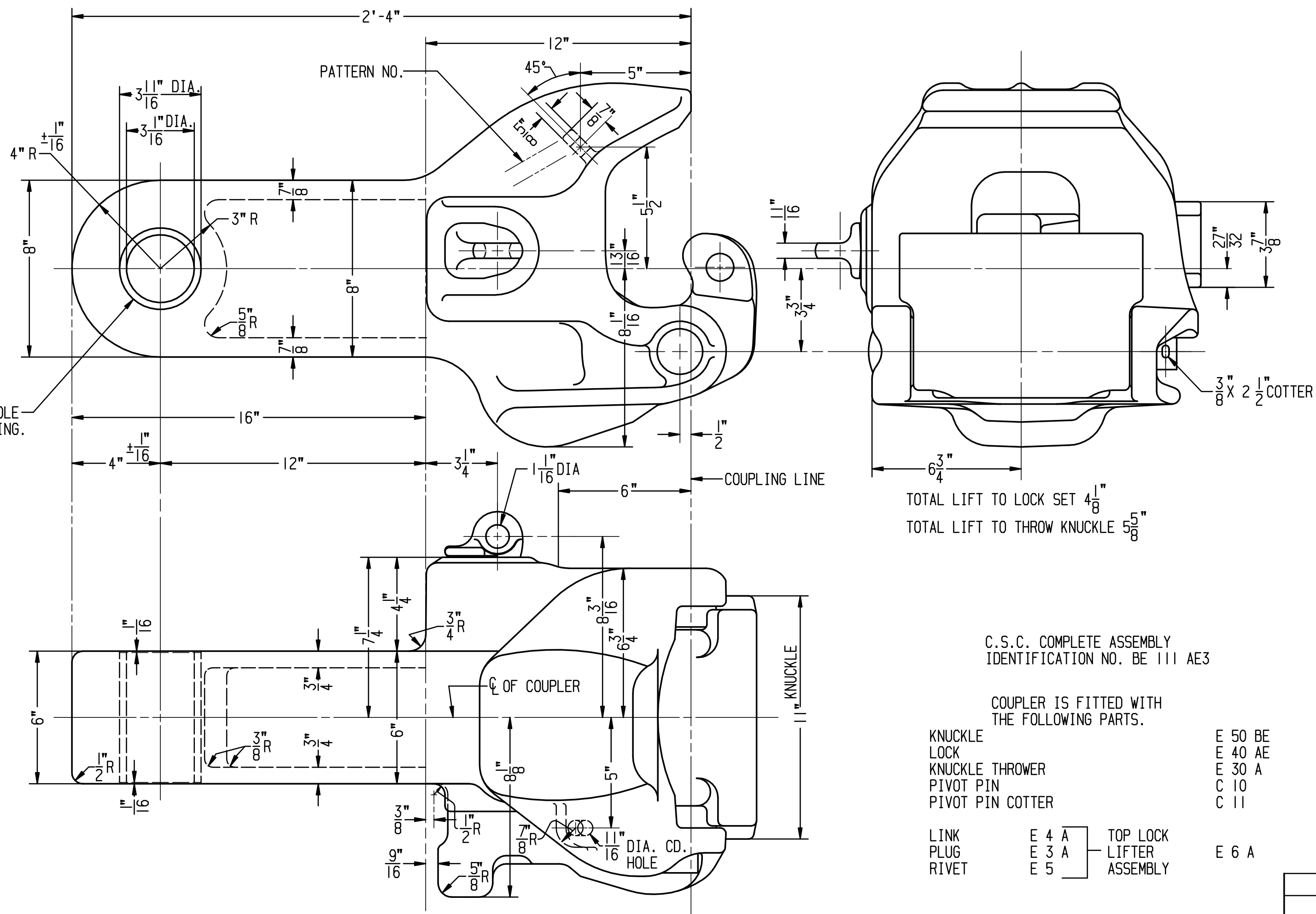
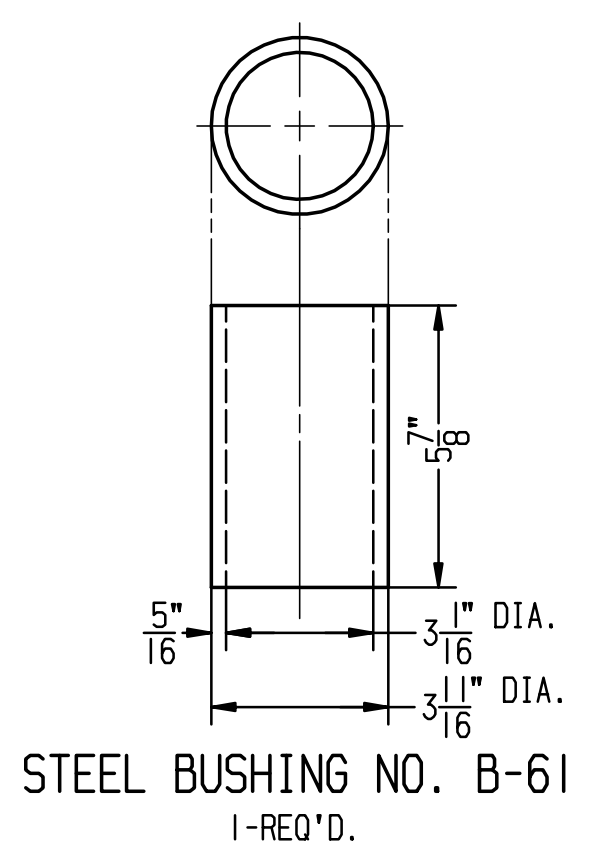


A CHANGED
KNUCKLE
CAT. NO.

COLUMBUS STEEL CASTINGS RESERVES THE RIGHT TO
MODIFY DETAILS NOT AFFECTING APPLICATION OR
STRENGTH IF NECESSARY TO FACILITATE MANUFACTURE.



- COUPLER IS FITTED WITH THE FOLLOWING PARTS.
- | | | |
|--------------------------|------|----|
| KNUCKLE | E 50 | BE |
| LOCK | E 40 | AE |
| KNUCKLE THROWER | E 30 | A |
| PIVOT PIN | C 10 | |
| PIVOT PIN COTTER | C 11 | |
| LINK | E 4 | A |
| PLUG | E 3 | A |
| RIVET | E 5 | |
| TOP LOCK LIFTER ASSEMBLY | E 6 | A |



COUPLER BODY
HIGH TENSILE STEEL GRADE "E" TO
A.A.R. SPECIFICATION M-211, LATEST REVISION.
PATTERN NO. BE-111-AE

HIGH TENSILE STEEL
6" X 8" X 16" SHANK; 3 1/16" PIN HOLE-BUSHED

NOTE:
DIMENSIONS WHICH ARE NOT TOLERANCED
ARE SUBJECT TO MANUFACTURING VARIATIONS.

THIS DRAWING CONTAINS CONFIDENTIAL AND PROPRIETARY INFORMATION OF COLUMBUS STEEL CASTINGS ("COLUMBUS STEEL") AND THE DRAWING AND THE INFORMATION CONTAINED THEREIN ARE AND REMAIN THE PROPERTY OF COLUMBUS STEEL. THIS DRAWING IS PROVIDED WITH THE EXPRESS AGREEMENT THAT THE DRAWING AND THE INFORMATION THEREIN:
(1) WILL NOT BE REPRODUCED, COPIED OR OTHERWISE TRANSCRIBED, IN WHOLE OR IN PART, BY ANY METHOD;
(2) WILL NOT BE USED, IN WHOLE OR IN PART, DIRECTLY OR INDIRECTLY, TO ASSIST IN THE MAKING OR TO FURNISH ANY INFORMATION FOR THE MAKING, OF DRAWINGS, PRINTS, APPARATUS OR PARTS;
(3) WILL NOT BE MADE AVAILABLE TO ANY OTHER PERSON OR ENTITY, IN EACH CASE WITHOUT THE PRIOR WRITTEN CONSENT OF COLUMBUS STEEL AS TO EACH SPECIFIC CASE; AND
(4) WILL BE RETURNED TO COLUMBUS STEEL UPON ITS REQUEST.
ACCEPTANCE OF THIS DRAWING SHALL CONSTITUTE ACCEPTANCE OF THE FOREGOING AGREEMENTS.

TYPE "E" COUPLER TOP OPERATING PATTERN NO. BE-111-AE		
Columbus Steel Castings		
Columbus, Ohio		
DRAWN BY M.H.G.	CHECKED BY K.W.T.	DATE 2-5-1996 SCALE 3" = 1'-0"
C-14348		SHEET 1 OF 1

A	9-19-05
REV.	DATE