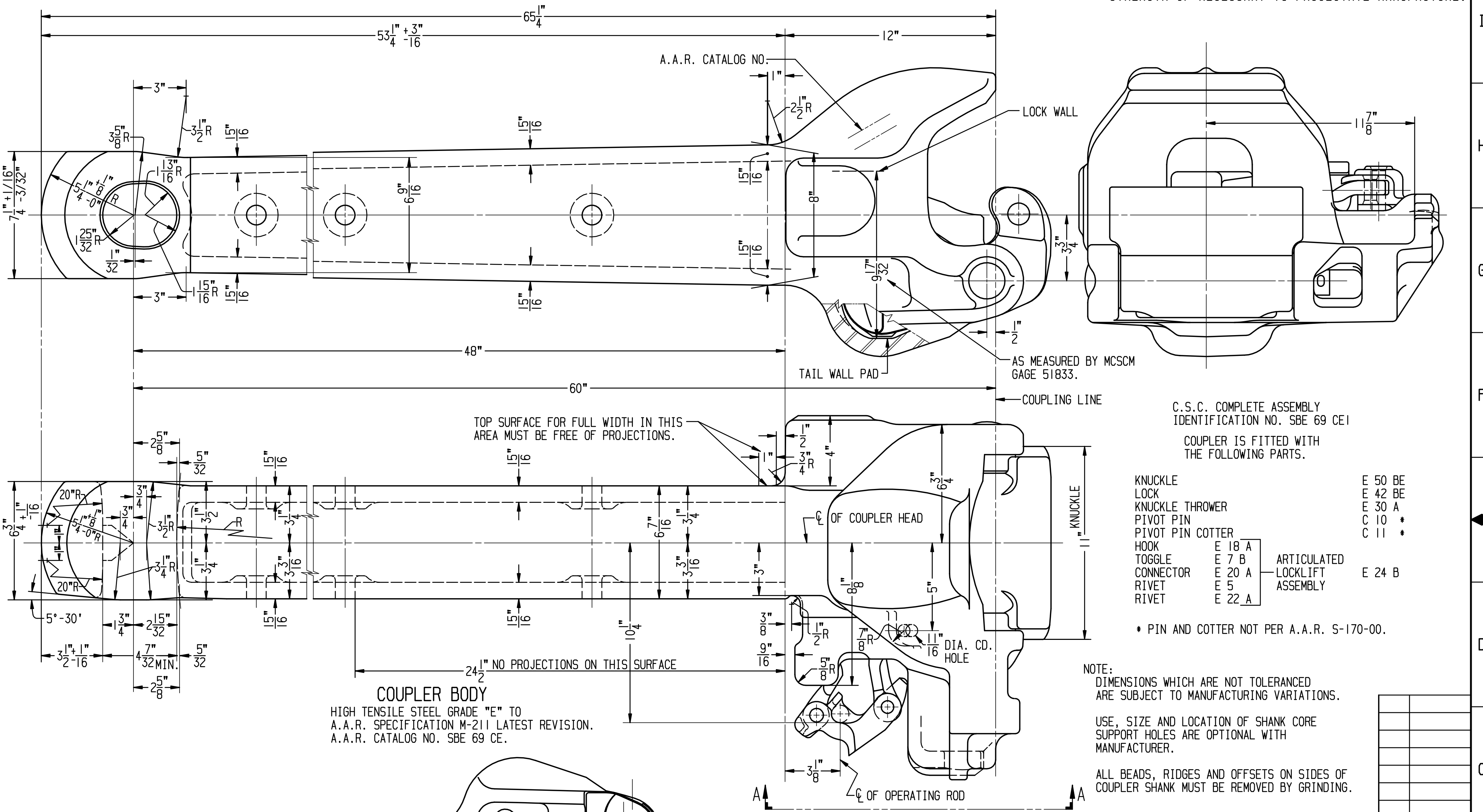


A ADDED NOTE TO TOP SHANK SURFACE AT HORN.

COLUMBUS STEEL CASTINGS RESERVES THE RIGHT TO MODIFY DETAILS NOT AFFECTING APPLICATION OR STRENGTH IF NECESSARY TO FACILITATE MANUFACTURE.



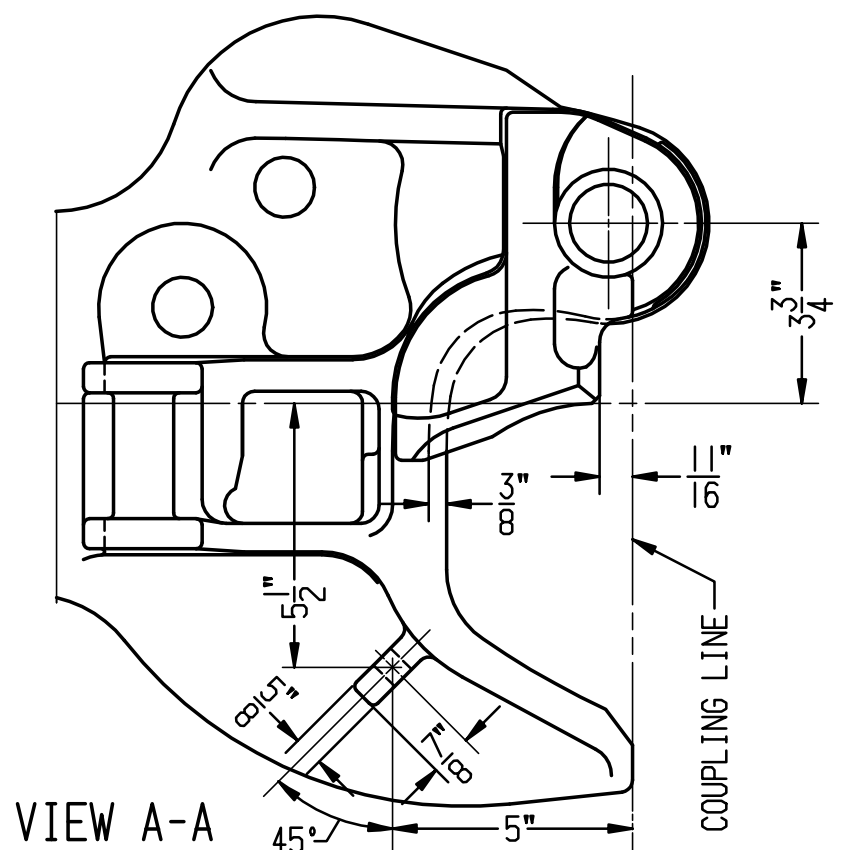
C.S.C. COMPLETE ASSEMBLY IDENTIFICATION NO. SBE 69 CE1
 COUPLER IS FITTED WITH THE FOLLOWING PARTS.

- | | | |
|------------------|---------|--------------------------------------|
| KNUCKLE | E 50 BE | |
| LOCK | E 42 BE | |
| KNUCKLE THROWER | E 30 A | |
| PIVOT PIN | C 10 * | |
| PIVOT PIN COTTER | C 11 * | |
| HOOK | E 18 A | |
| TOGGLE | E 7 B | |
| CONNECTOR | E 20 A | ARTICULATED LOCKLIFT ASSEMBLY E 24 B |
| RIVET | E 5 | |
| RIVET | E 22 A | |

* PIN AND COTTER NOT PER A.A.R. S-170-00.

NOTE:
 DIMENSIONS WHICH ARE NOT TOLERANCED ARE SUBJECT TO MANUFACTURING VARIATIONS.
 USE, SIZE AND LOCATION OF SHANK CORE SUPPORT HOLES ARE OPTIONAL WITH MANUFACTURER.
 ALL BEADS, RIDGES AND OFFSETS ON SIDES OF COUPLER SHANK MUST BE REMOVED BY GRINDING.

COUPLER BODY
 HIGH TENSILE STEEL GRADE "E" TO A.A.R. SPECIFICATION M-211 LATEST REVISION.
 A.A.R. CATALOG NO. SBE 69 CE.



REFERENCE ONLY

THIS DRAWING CONTAINS CONFIDENTIAL AND PROPRIETARY INFORMATION OF COLUMBUS STEEL CASTINGS ("COLUMBUS STEEL") AND THE DRAWING AND THE INFORMATION CONTAINED THEREIN ARE AND REMAIN THE PROPERTY OF COLUMBUS STEEL. THIS DRAWING IS PROVIDED WITH THE EXPRESS AGREEMENT THAT THE DRAWING AND THE INFORMATION THEREIN:
 (1) WILL NOT BE REPRODUCED, COPIED OR OTHERWISE TRANSCRIBED, IN WHOLE OR IN PART, BY ANY METHOD;
 (2) WILL NOT BE USED, IN WHOLE OR IN PART, DIRECTLY OR INDIRECTLY, TO ASSIST IN THE MAKING OR TO FURNISH ANY INFORMATION FOR THE MAKING, OF DRAWINGS, PRINTS, APPARATUS OR PARTS;
 (3) WILL NOT BE MADE AVAILABLE TO ANY OTHER PERSON OR ENTITY, IN EACH CASE WITHOUT THE PRIOR WRITTEN CONSENT OF COLUMBUS STEEL AS TO EACH SPECIFIC CASE; AND
 (4) WILL BE RETURNED TO COLUMBUS STEEL UPON ITS REQUEST.
 ACCEPTANCE OF THIS DRAWING SHALL CONSTITUTE ACCEPTANCE OF THE FOREGOING AGREEMENTS.

COUPLER AND PARTS ARE PATENTED.

TYPE E/F BOTTOM SHELF REDUCED SLACK COUPLER
 SINGLE ROTARY OPERATION
 CATALOG NO. SBE 69 CE

Columbus Steel Castings
 Columbus, Ohio

DRAWN BY M.H.G.	CHECKED BY B.S.	DATE 5-1-2002
C-14775		SCALE 3" = 1'-0"
		SHEET 1 OF 1