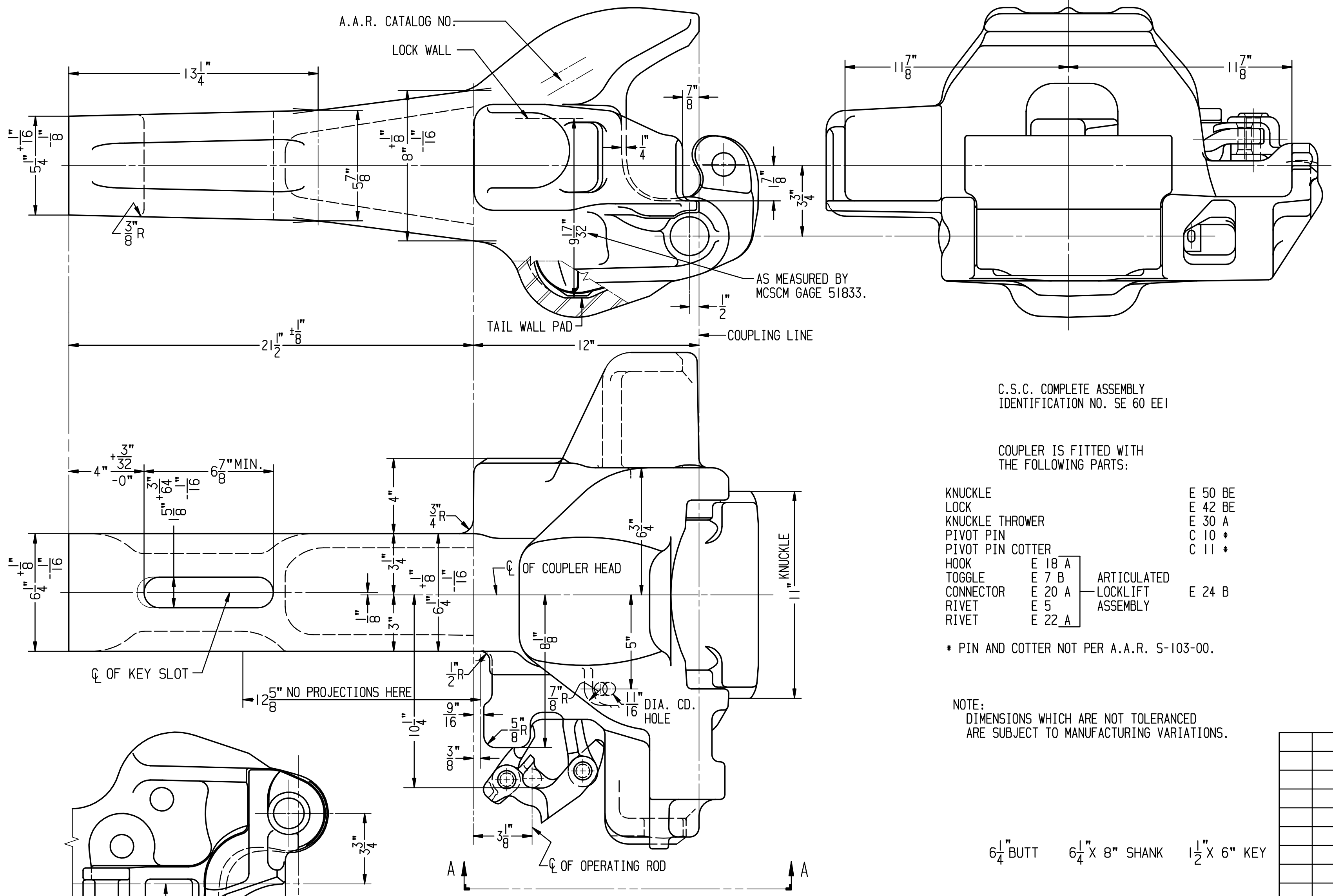


COLUMBUS STEEL CASTINGS RESERVES THE RIGHT TO MODIFY DETAILS NOT AFFECTING APPLICATION OR STRENGTH IF NECESSARY TO FACILITATE MANUFACTURE.



C.S.C. COMPLETE ASSEMBLY IDENTIFICATION NO. SE 60 EE I

COUPLER IS FITTED WITH THE FOLLOWING PARTS:

KNUCKLE	E 50 BE	
LOCK	E 42 BE	
KNUCKLE THROWER	E 30 A	
PIVOT PIN	C 10 *	
PIVOT PIN COTTER	C 11 *	
HOOK	E 18 A	
TOGGLE	E 7 B	ARTICULATED
CONNECTOR	E 20 A	LOCKLIFT
RIVET	E 5	ASSEMBLY
RIVET	E 22 A	

* PIN AND COTTER NOT PER A.A.R. S-103-00.

NOTE: DIMENSIONS WHICH ARE NOT TOLERANCED ARE SUBJECT TO MANUFACTURING VARIATIONS.

6 1/4" BUTT 6 1/4" X 8" SHANK 1 1/2" X 6" KEY

COUPLER AND PARTS ARE PATENTED.

REV.	DATE

COUPLER BODY
HIGH TENSILE STEEL, GRADE "E" TO A.A.R. SPECIFICATION M-211, LATEST REVISION.
A.A.R. CATALOG NO. SE 60 EE.

THIS DRAWING CONTAINS CONFIDENTIAL AND PROPRIETARY INFORMATION OF COLUMBUS STEEL CASTINGS ("COLUMBUS STEEL") AND THE DRAWING AND THE INFORMATION CONTAINED THEREIN ARE AND REMAIN THE PROPERTY OF COLUMBUS STEEL. THIS DRAWING IS PROVIDED WITH THE EXPRESS AGREEMENT THAT THE DRAWING AND THE INFORMATION THEREIN:

- (1) WILL NOT BE REPRODUCED, COPIED OR OTHERWISE TRANSCRIBED, IN WHOLE OR IN PART, BY ANY METHOD;
- (2) WILL NOT BE USED, IN WHOLE OR IN PART, DIRECTLY OR INDIRECTLY, TO ASSIST IN THE MAKING OR TO FURNISH ANY INFORMATION FOR THE MAKING, OF DRAWINGS, PRINTS, APPARATUS OR PARTS;
- (3) WILL NOT BE MADE AVAILABLE TO ANY OTHER PERSON OR ENTITY, IN EACH CASE WITHOUT THE PRIOR WRITTEN CONSENT OF COLUMBUS STEEL AS TO EACH SPECIFIC CASE; AND
- (4) WILL BE RETURNED TO COLUMBUS STEEL UPON ITS REQUEST.

ACCEPTANCE OF THIS DRAWING SHALL CONSTITUTE ACCEPTANCE OF THE FOREGOING AGREEMENTS.

VIEW A-A

TYPE "E" REDUCED SLACK DOUBLE SHELF COUPLER
SINGLE ROTARY OPERATION
A.A.R. CATALOG NO. SE 60 EE

Columbus Steel Castings

Columbus, Ohio

DRAWN BY M.H.G.	CHECKED BY B.S.	DATE 3-5-2002
SCALE 3" = 1'-0"		

C-14770

SHEET 1 OF 1