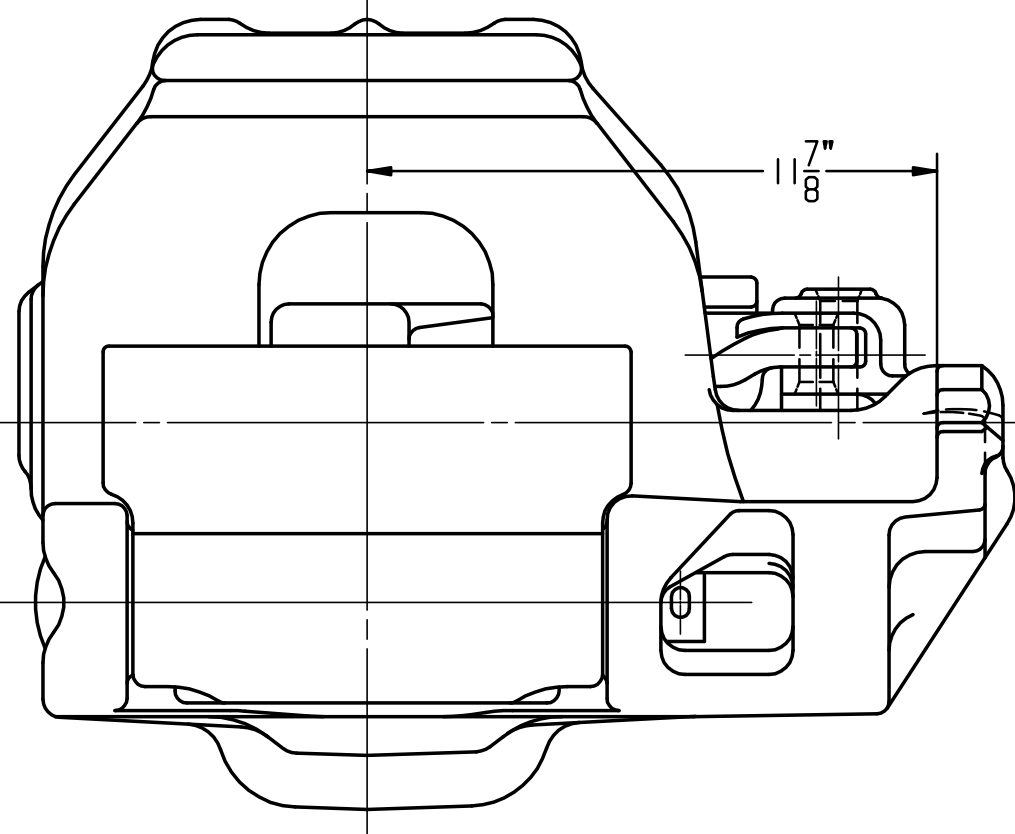
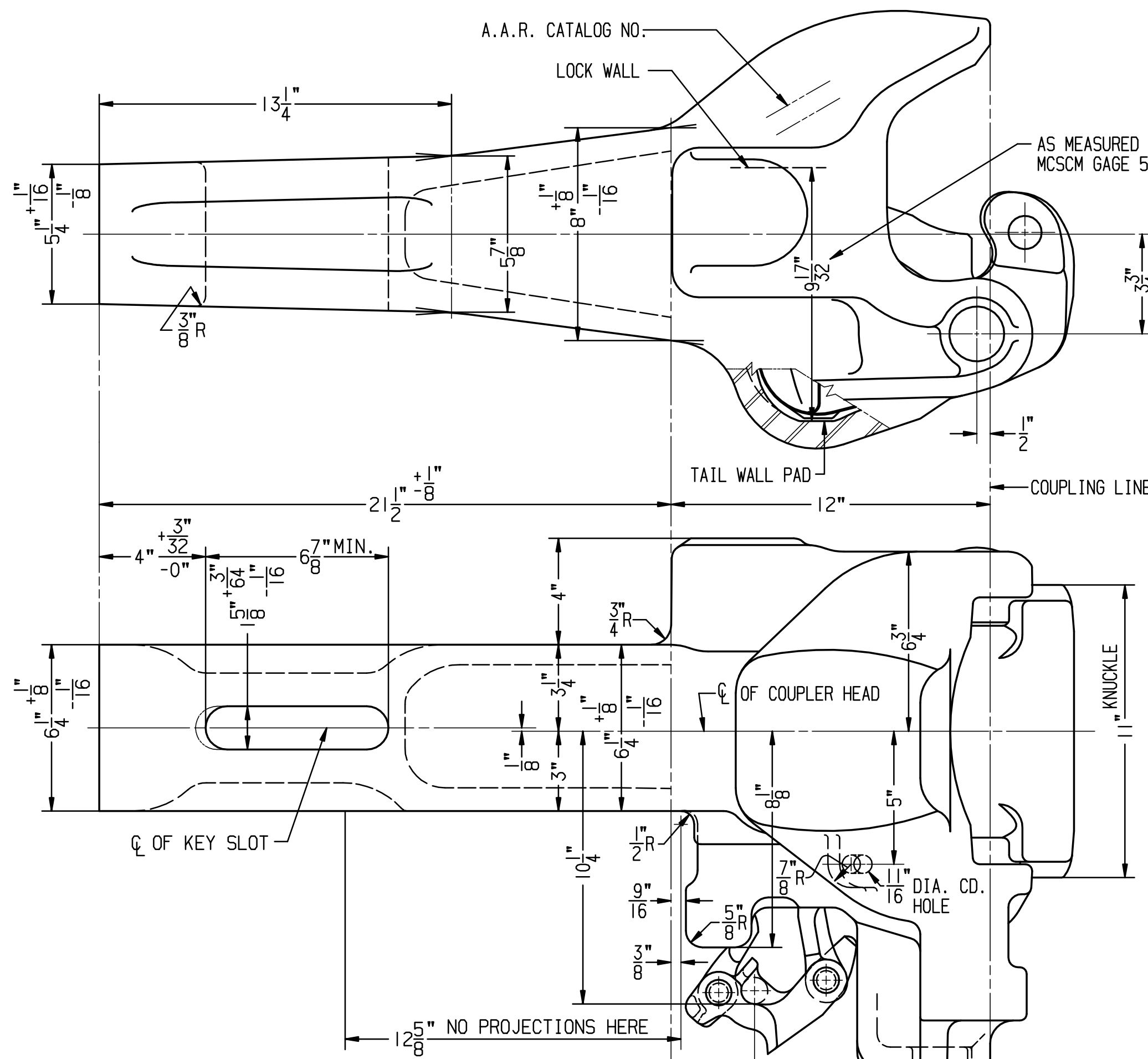


A REDUCED SLACK TAIL WALL PAD ADDED. CHANGED KNUCKLE AND LOCK CATALOG NO.'S. & COUPLER IDENTIFICATION NO.
 B ADDED LOCK WALL TO TAIL WALL PAD DIM. AND NOTES.
 C CHG'D. B.S.C. CO. COMPLETE ASSEMBLY IDENTIFICATION NO.

COLUMBUS STEEL CASTINGS RESERVES THE RIGHT TO MODIFY DETAILS NOT AFFECTING APPLICATION OR STRENGTH IF NECESSARY TO FACILITATE MANUFACTURE.



C.S.C. COMPLETE ASSEMBLY IDENTIFICATION NO. SBE 60 EEI

COUPLER IS FITTED WITH THE FOLLOWING PARTS:

KNUCKLE	E 50 BE	
LOCK	E 42 BE	
KNUCKLE THROWER	E 30 A	
PIVOT PIN	C 10 *	
PIVOT PIN COTTER	C 11 *	
HOOK	E 18 A	
TOGGLE	E 7 B	
CONNECTOR	E 20 A	ARTICULATED LOCKLIFT ASSEMBLY
RIVET	E 5	
RIVET	E 22 A	
		E 24 B

* PIN AND COTTER NOT PER A.A.R. S-163-00.

NOTE: DIMENSIONS WHICH ARE NOT TOLERANCED ARE SUBJECT TO MANUFACTURING VARIATIONS.

COUPLER BODY
 HIGH TENSILE STEEL, GRADE "E" TO A.A.R. SPECIFICATION M-211, LATEST REVISION.
 A.A.R. CATALOG NO. SBE 60 EE.

6 1/4" BUTT 6 1/4" X 8" SHANK 1 1/2" X 6" KEY

COUPLER AND PARTS ARE PATENTED.

TYPE "E" BOTTOM SHELF REDUCED SLACK COUPLER
 SINGLE ROTARY OPERATION
 A.A.R. CATALOG NO. SBE 60 EE

Columbus Steel Castings
 Columbus, Ohio

DRAWN BY M.H.G.	CHECKED BY B.S.	DATE 11-12-1997
C-14545		SCALE 3" = 1'-0"
		SHEET 1 OF 1

THIS DRAWING CONTAINS CONFIDENTIAL AND PROPRIETARY INFORMATION OF COLUMBUS STEEL CASTINGS ("COLUMBUS STEEL") AND THE DRAWING AND THE INFORMATION CONTAINED THEREIN ARE AND REMAIN THE PROPERTY OF COLUMBUS STEEL. THIS DRAWING IS PROVIDED WITH THE EXPRESS AGREEMENT THAT THE DRAWING AND THE INFORMATION THEREIN:
 (1) WILL NOT BE REPRODUCED, COPIED OR OTHERWISE TRANSCRIBED, IN WHOLE OR IN PART, BY ANY METHOD;
 (2) WILL NOT BE USED, IN WHOLE OR IN PART, DIRECTLY OR INDIRECTLY, TO ASSIST IN THE MAKING OR TO FURNISH ANY INFORMATION FOR THE MAKING, OF DRAWINGS, PRINTS, APPARATUS OR PARTS;
 (3) WILL NOT BE MADE AVAILABLE TO ANY OTHER PERSON OR ENTITY, IN EACH CASE WITHOUT THE PRIOR WRITTEN CONSENT OF COLUMBUS STEEL AS TO EACH SPECIFIC CASE; AND
 (4) WILL BE RETURNED TO COLUMBUS STEEL UPON ITS REQUEST.
 ACCEPTANCE OF THIS DRAWING SHALL CONSTITUTE ACCEPTANCE OF THE FOREGOING AGREEMENTS.