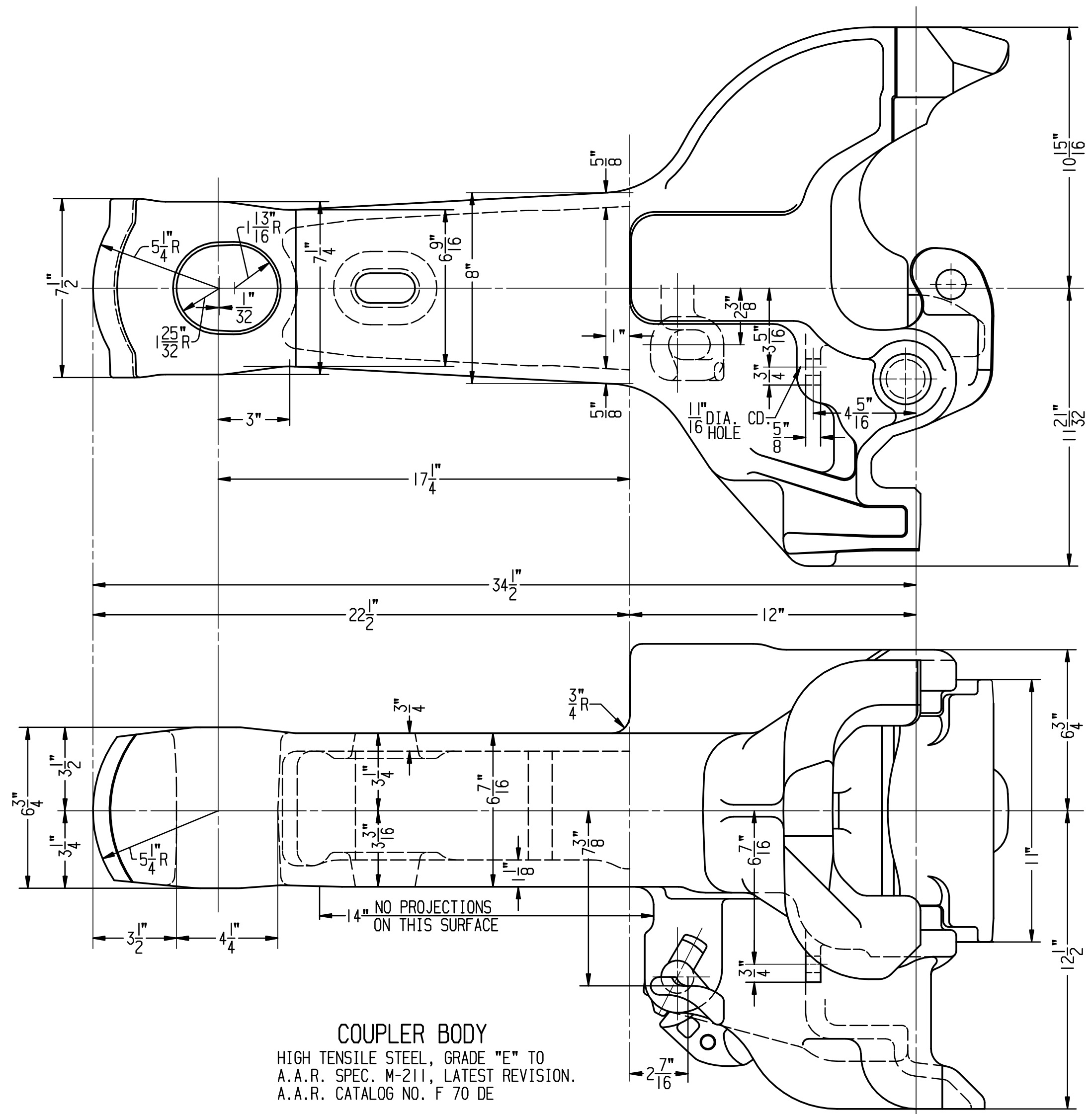


COLUMBUS STEEL CASTINGS RESERVES THE RIGHT TO MODIFY DETAILS NOT AFFECTING APPLICATION OR STRENGTH IF NECESSARY TO FACILITATE MANUFACTURE.



COUPLER BODY
 HIGH TENSILE STEEL, GRADE "E" TO
 A.A.R. SPEC. M-211, LATEST REVISION.
 A.A.R. CATALOG NO. F 70 DE

C.S.C. COMPLETE ASSEMBLY
 IDENTIFICATION NO. F 70 DE1

COUPLER IS FITTED WITH
 THE FOLLOWING PARTS

- | | | | | |
|---|---|--|---|---|
| <ul style="list-style-type: none"> KNUCKLE LOCK KNUCKLE THROWER PIVOT PIN PIVOT PIN COTTER ROTOR - SINGLE ROTOR LEVER TOGGLE RIVET | <ul style="list-style-type: none"> F 6 A F 5 A E 5 | <ul style="list-style-type: none"> LOCK LIFT ASSEMBLY | <ul style="list-style-type: none"> F 51 AE F 41 AE F 31 A C 10 C 11 F 8 A | <ul style="list-style-type: none"> F 7 |
|---|---|--|---|---|

NOTE:
 DIMENSIONS WHICH ARE NOT TOLERANCED
 ARE SUBJECT TO MANUFACTURING VARIATIONS.

USE, SIZE AND LOCATION OF SHANK CORE
 SUPPORT HOLES ARE OPTIONAL WITH
 MANUFACTURER.

COUPLER AND PARTS ARE PATENTED.

A.A.R. TYPE "F" INTERLOCKING COUPLER
 SINGLE ROTARY OPERATION
 CATALOG NO. F 70 DE

Columbus Steel
Castings

Columbus, Ohio

DRAWN BY T.A.P.	CHECKED BY K.W.T.	DATE 10-28-94 SCALE 3" = 1'-0"
--------------------	----------------------	-----------------------------------

C-14228

SHEET 1 OF 1

THIS DRAWING CONTAINS CONFIDENTIAL AND PROPRIETARY INFORMATION OF COLUMBUS STEEL CASTINGS ("COLUMBUS STEEL") AND THE DRAWING AND THE INFORMATION CONTAINED THEREIN ARE AND REMAIN THE PROPERTY OF COLUMBUS STEEL. THIS DRAWING IS PROVIDED WITH THE EXPRESS AGREEMENT THAT THE DRAWING AND THE INFORMATION THEREIN:

- (1) WILL NOT BE REPRODUCED, COPIED OR OTHERWISE TRANSCRIBED, IN WHOLE OR IN PART, BY ANY METHOD;
- (2) WILL NOT BE USED, IN WHOLE OR IN PART, DIRECTLY OR INDIRECTLY, TO ASSIST IN THE MAKING OR TO FURNISH ANY INFORMATION FOR THE MAKING, OF DRAWINGS, PRINTS, APPARATUS OR PARTS;
- (3) WILL NOT BE MADE AVAILABLE TO ANY OTHER PERSON OR ENTITY, IN EACH CASE WITHOUT THE PRIOR WRITTEN CONSENT OF COLUMBUS STEEL AS TO EACH SPECIFIC CASE; AND
- (4) WILL BE RETURNED TO COLUMBUS STEEL UPON ITS REQUEST.

ACCEPTANCE OF THIS DRAWING SHALL CONSTITUTE ACCEPTANCE OF THE FOREGOING AGREEMENTS.